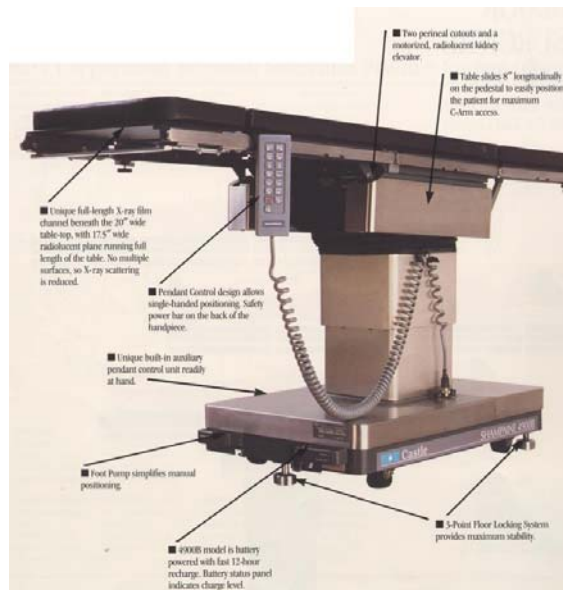


Shampaine 4900e Electric Operating Table



This Shampaine OR table offers fully remote control positioning with full c-arm access to accommodate the widest range of positioning requirements. Unit offers 500lb weight capacity, head to foot slide capability, electric hydraulic floor locks with self-compensating tripod design, dual perineal cutouts as well as standard positioning; trendelenburg, lateral tilt, back, leg, kidney and flex functions. Emergency override, optional foot control and a broad range of accessories provide safety and flexibility for virtually all types of procedures

- **Load Limit 500 lbs**
- **Height Maximum 44"**
- **Height Minimum 28"**
- **Trendelenburg 25°**
- **Reverse Trendelenburg 25°**
- **Lateral Tilt 18°**

For additional information, written quote, warranty information, payment terms or product availability, contact our office Toll Free at: 800-989-4909

Do you need medical equipment Repairs or Service?

For your convenience MESA now offers our in-house bio-medical capabilities through our new service organization, Code Blue Bio-Medical Services, Inc. Please call our service manager at 800-989-4909 for details or an appointment.